

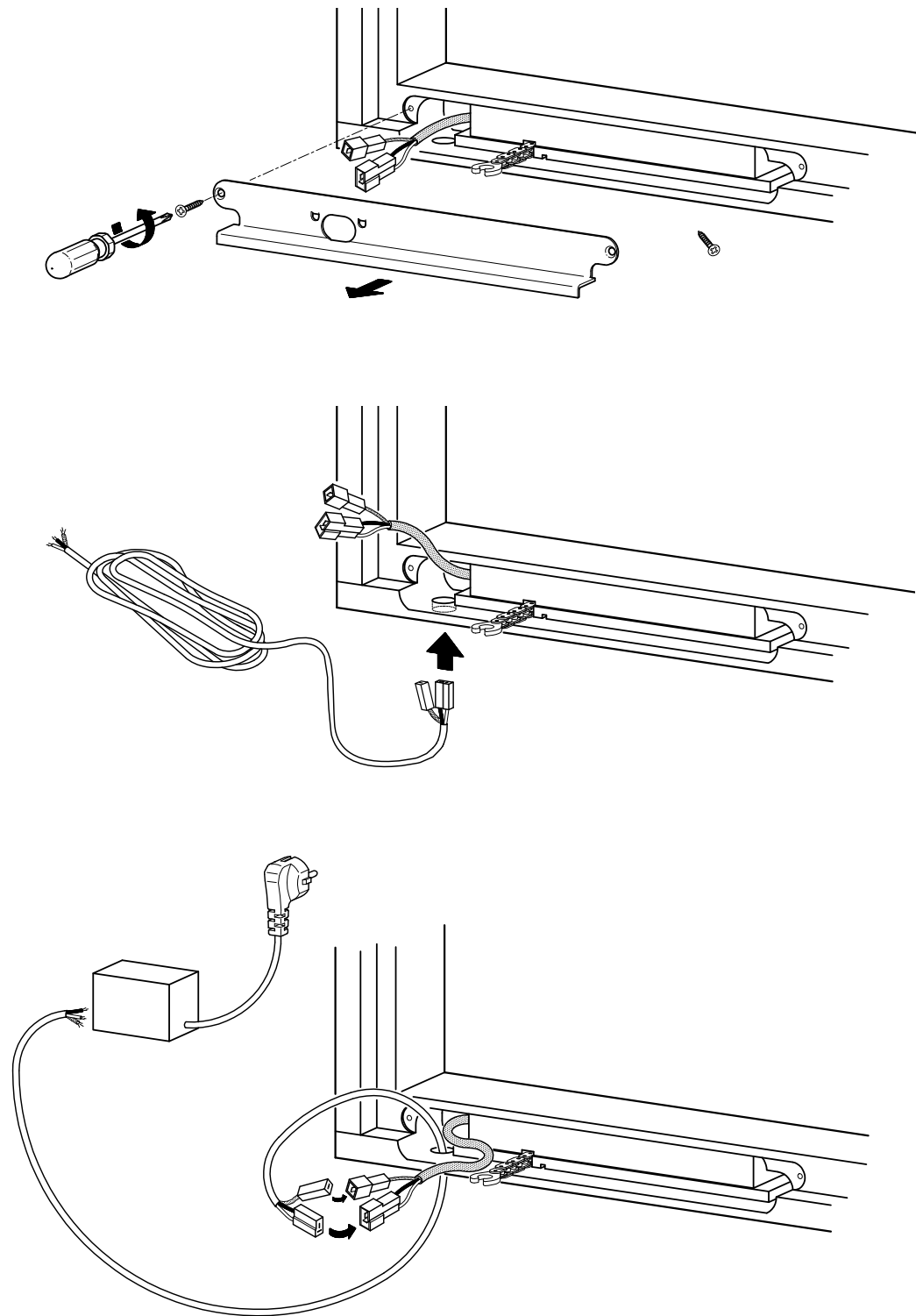
WindowMaster - snap plug and cables  
 WindowMaster - snapstik og ledninger  
 WindowMaster - snabbkontakt och ledningar  
 WindowMaster - Stecker und Kabel

One motor:

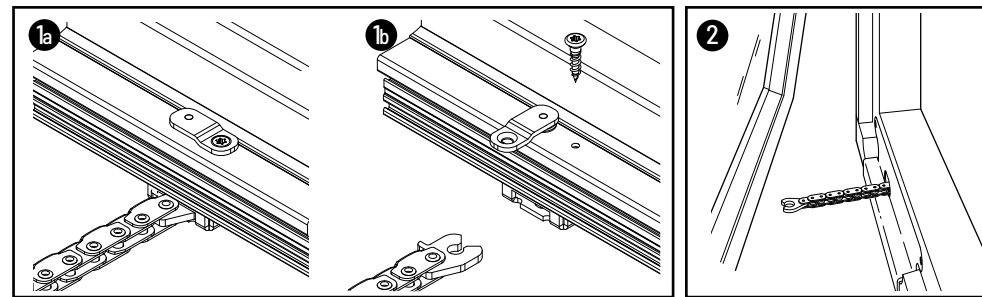
En motor:

En motor:

Ein Motor:



1. First open the window, then disconnect the chain (4x20 US screw):



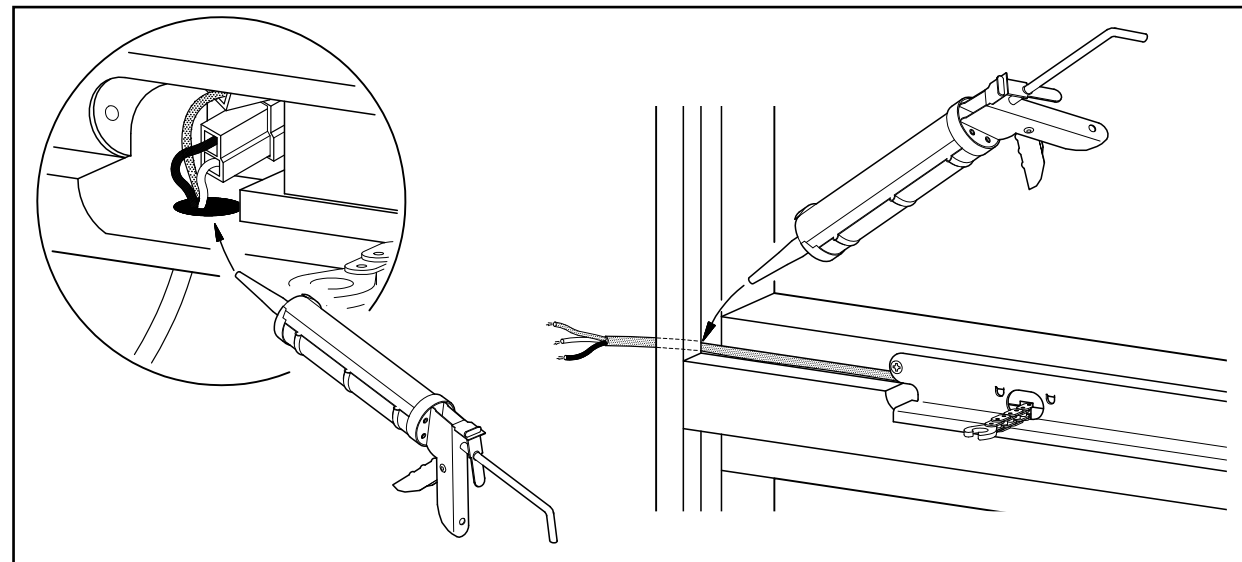
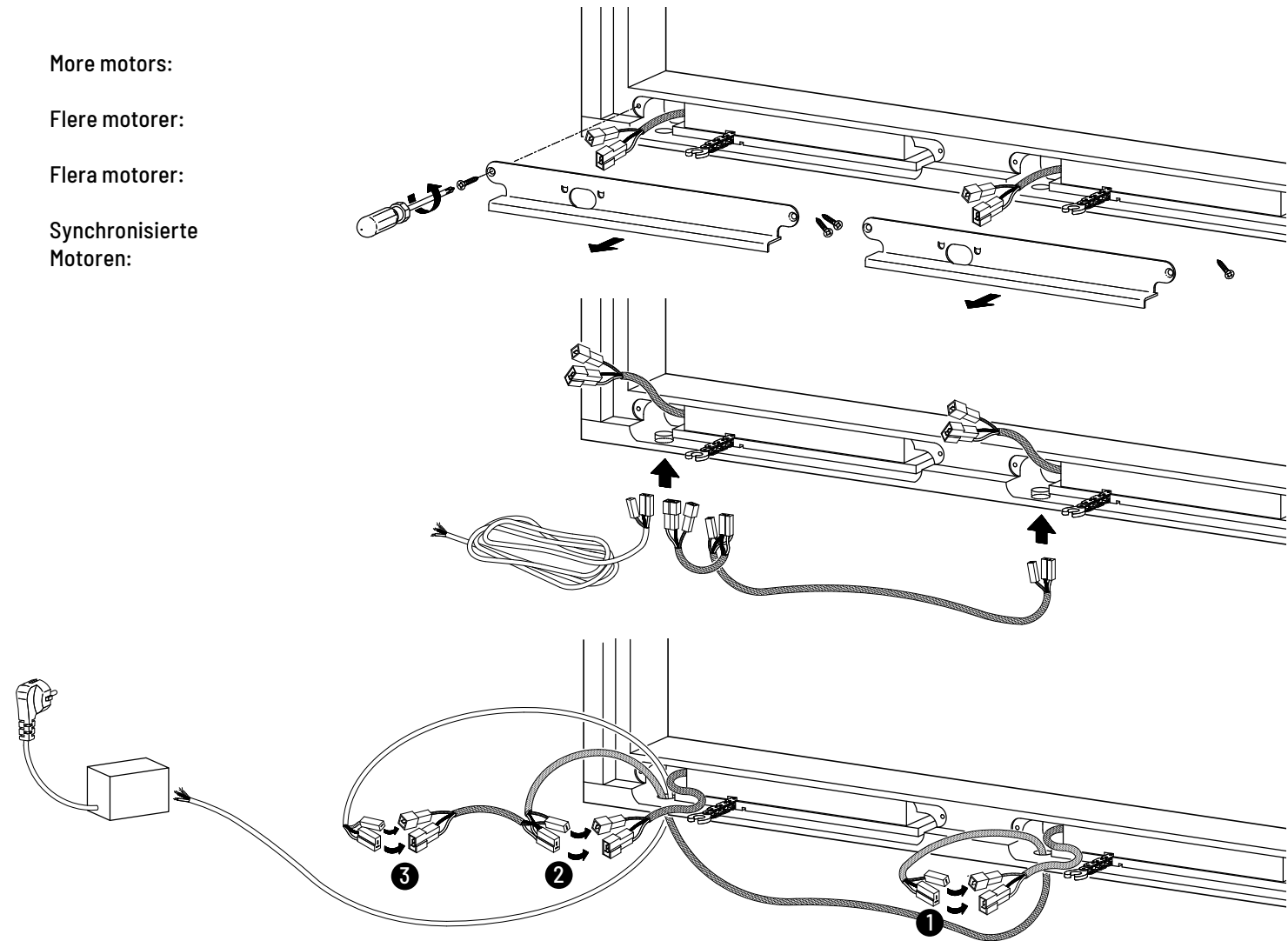
2. To reconnect the chain, power the chain out to meet the sash.

More motors:

Flere motorer:

Flera motorer:

Synchronisierte Motoren:



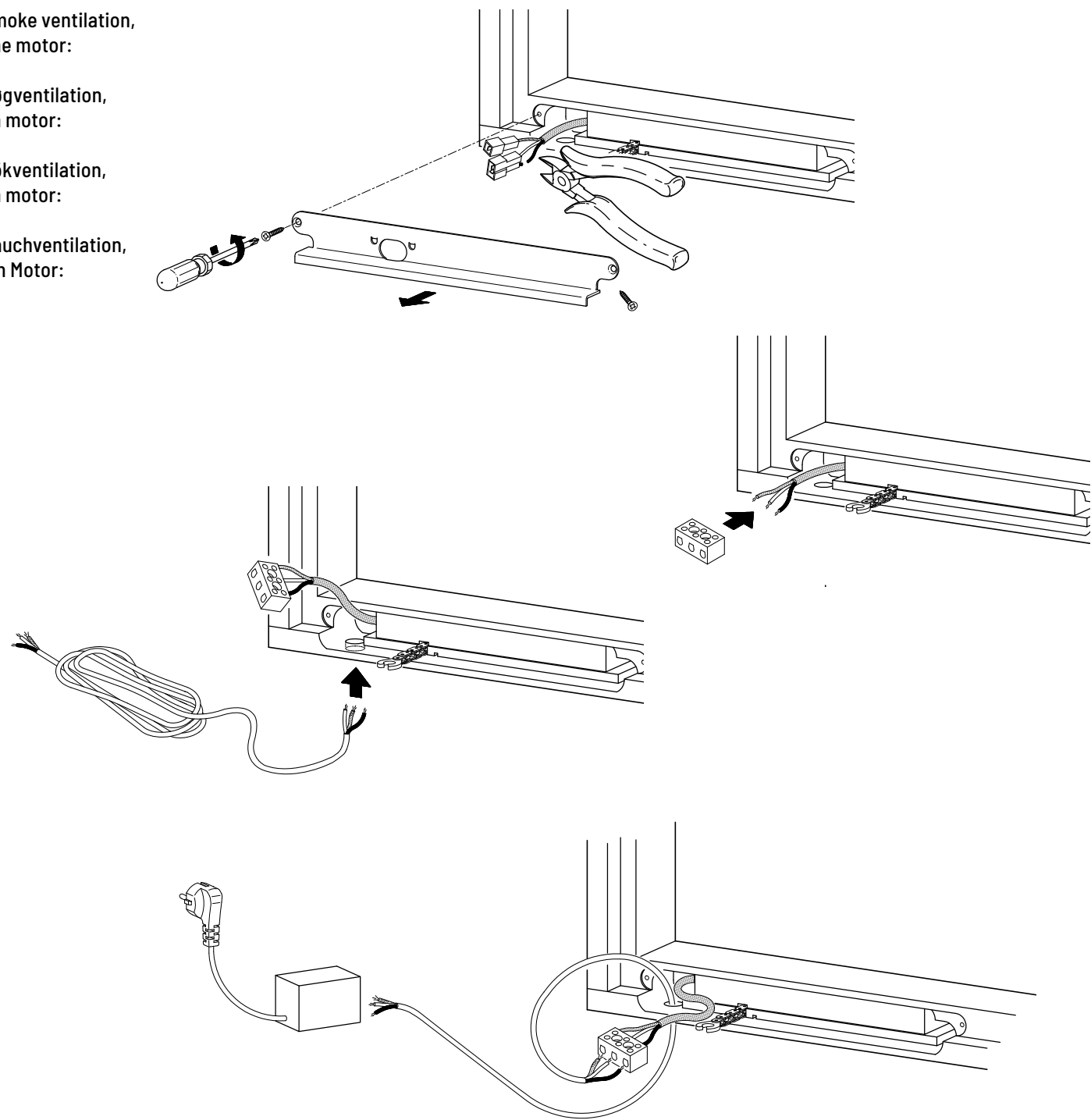
**WindowMaster - ceramic plug and cables**  
**WindowMaster - keramisk stik og ledninger**  
**WindowMaster - keramisk kontakt och ledningar**  
**WindowMaster - keramische Stecker und Kabel**

Smoke ventilation,  
one motor:

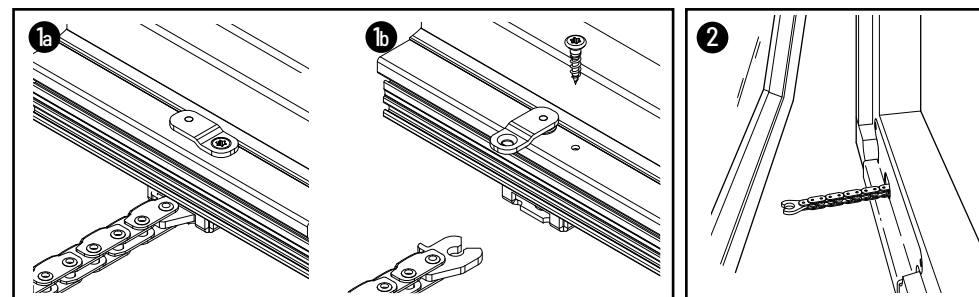
Røgventilation,  
en motor:

Rökventilation,  
en motor:

Rauchventilation,  
ein Motor:



1. First open the window, then disconnect the chain (4x20 US screw):



2. To reconnect the chain, power the chain out to meet the sash.

Smoke ventilation,  
more motors:

Røgventilation, flere  
motorer:

Rökventilation, flera  
motorer:

Rauchventilation,  
synchronisierte  
Motoren:

