

(E)

1. Fixed mullion (fast lodpost)
2. French casement / mullion for fire escape (2-fløjet / brandpost)

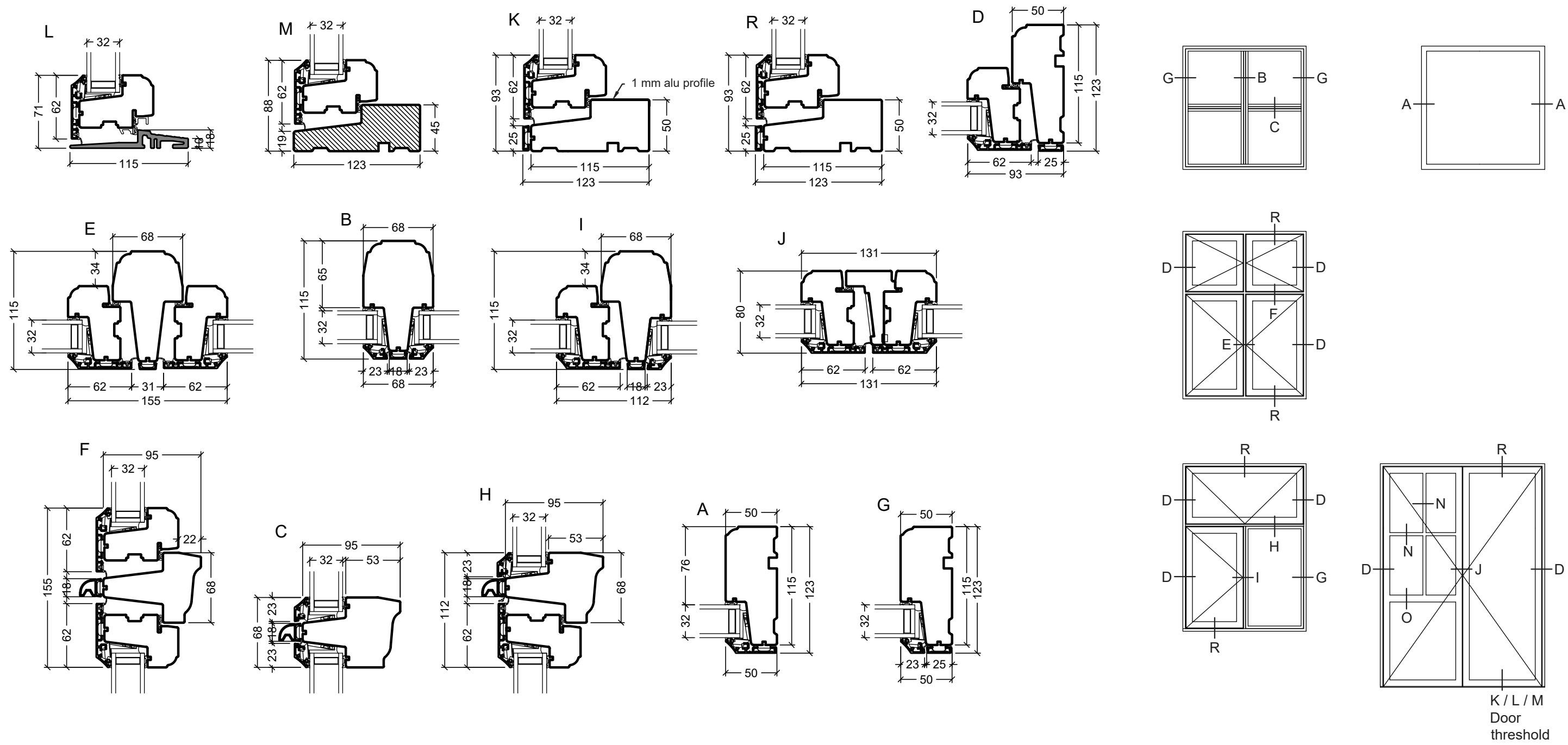
(N) (O)

Glazing bars

VELFAC

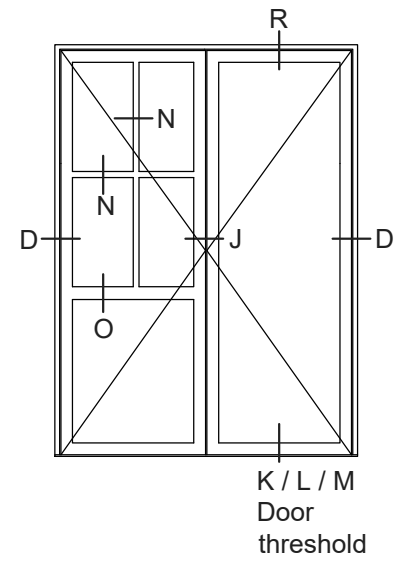
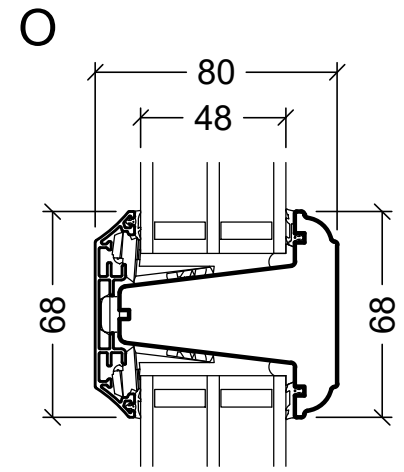
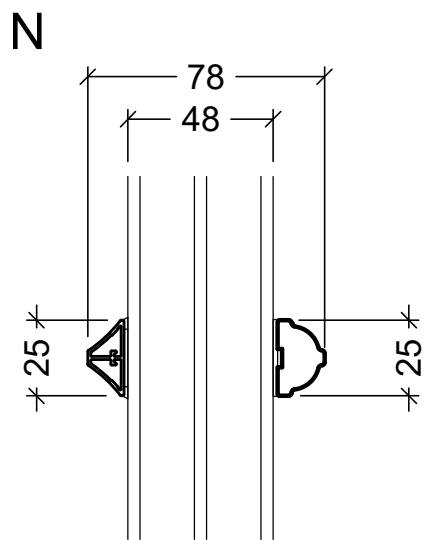
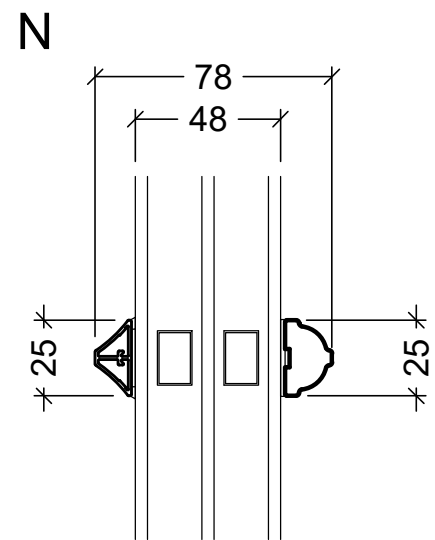
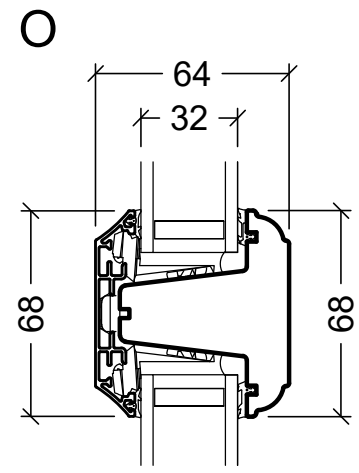
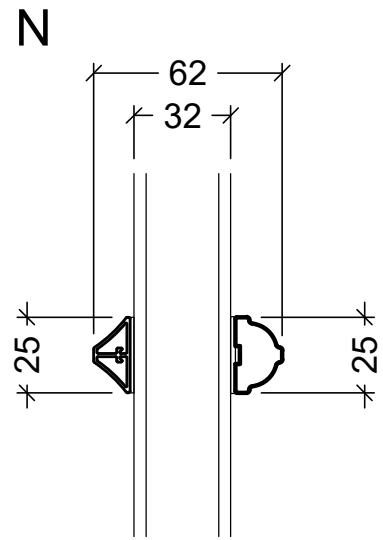
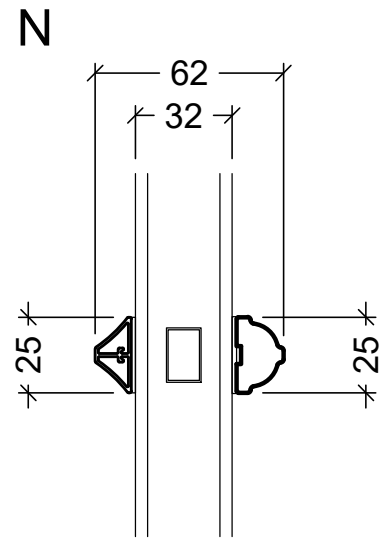
VELFAC Classic alu window, 3-layer (1:4 / 1:40)
Drawing No. 01.18 © 2013, 2018 - Edition No. 07

© VELFAC A/S All intellectual property rights and all rights in know-how in relation to this drawing may not be reproduced, stored, or transmitted in any form by any means (electronic, mechanical, photocopying, recording or otherwise) without the prior written consent of VELFAC A/S. It is to be used only for the purposes specified by VELFAC A/S and for no other purpose.



- (E)
1. Fixed mullion (fast lodpost)
 2. French casement / mullion for fire escape (2-fløjet / brandpost)

(N) (O)
Glazing bars



Frame variants

